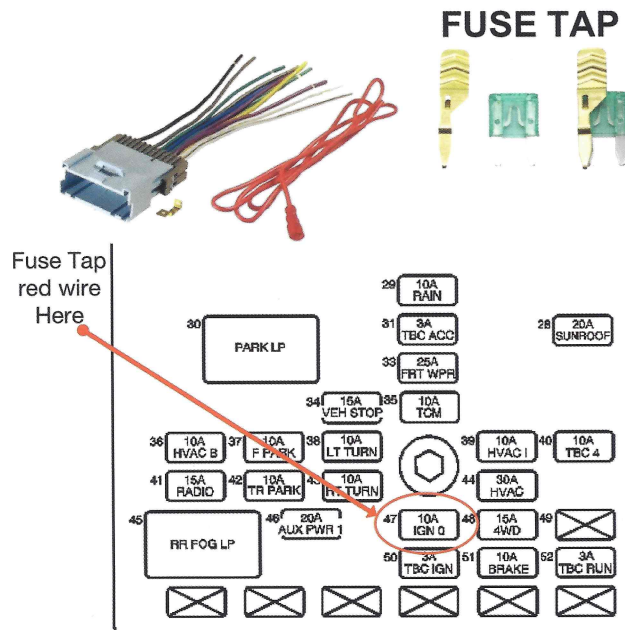


Volunteer Audio

RED WIRE HARNESS EXPLANATION AND CONNECTION GUIDE

This installation package is for vehicles that do not contain accessory position wiring. The radio is controlled by a data signal, which turns the radio “on” and “off.” This harness is an inexpensive work around for a costly interface.



The long external red wire provided is to tap into an accessory position wire or fuse tap. You’re looking for a wire/fuse that is switched “on” and “off” with the key.

Fuses of this nature are generally noted with a “IGN” designation.

TECHSUPPORT 1-844-302-8346 EXT 4